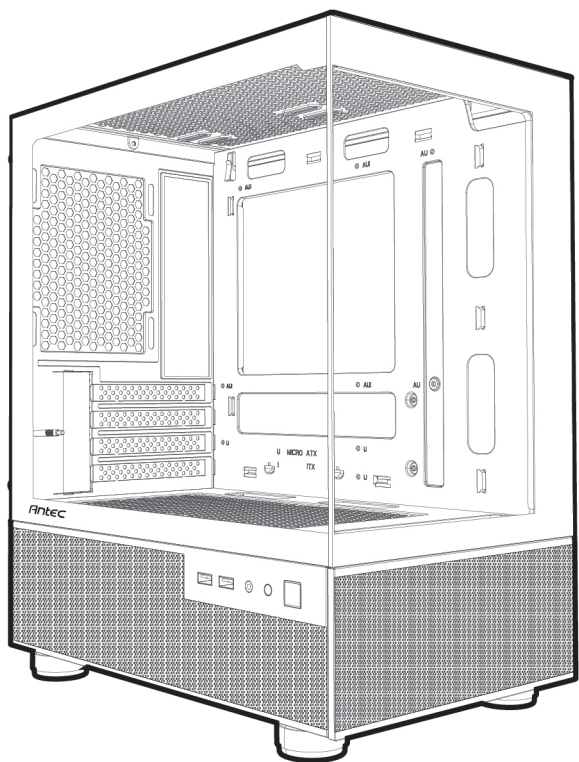
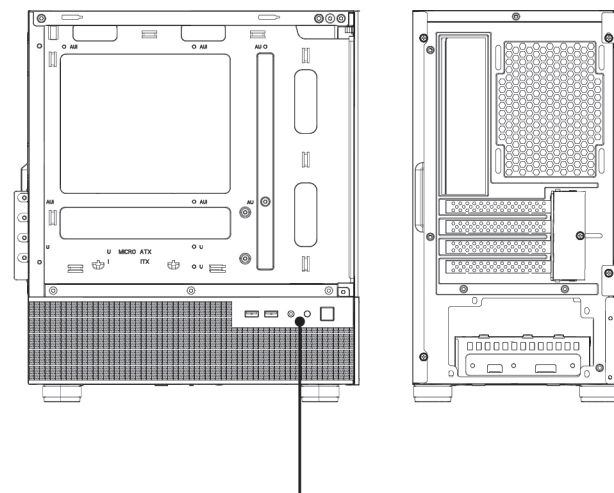
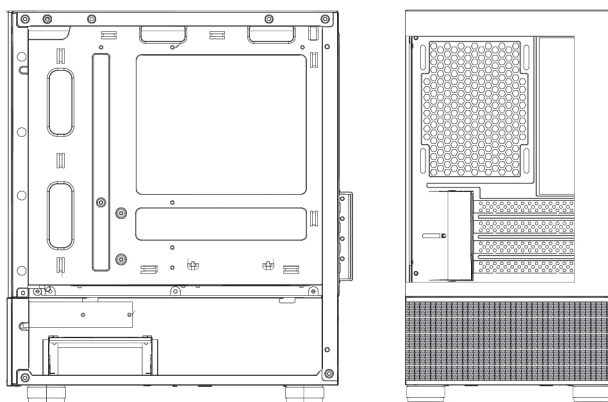


Antec

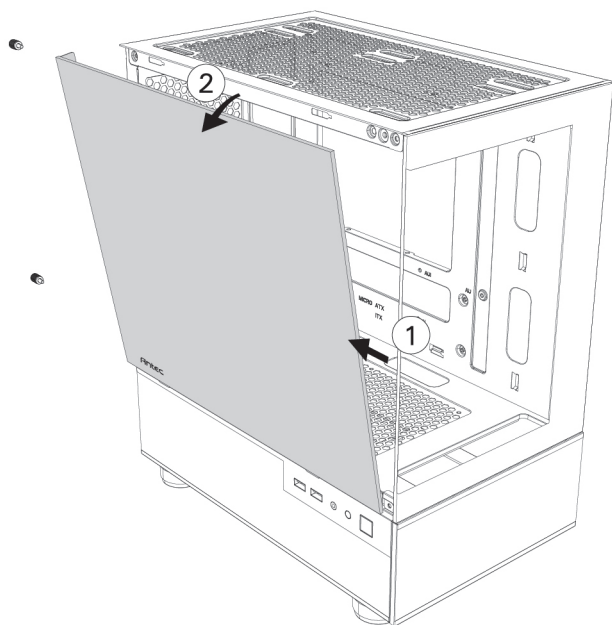


CX200M SERIES

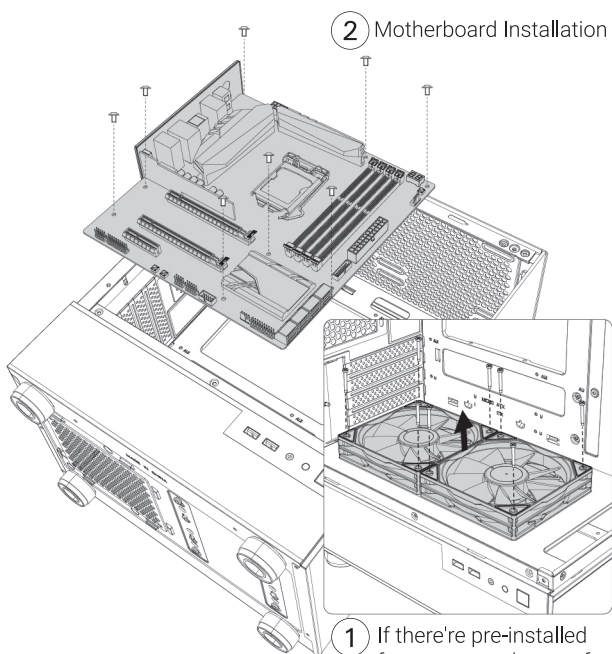


The I/O ports vary among the different models in the series. CX200M RGB Elite illustrated in the Manual.

- 1 REMOVE SIDE PANEL**
EXTRACCIÓN DEL PANEL LATERAL
SEITENWAND ENTFERNEN
RETIRER LE PANNEAU LATÉRAL
사이드 패널 분리
サイドパネルを取り外します
拆下側面板

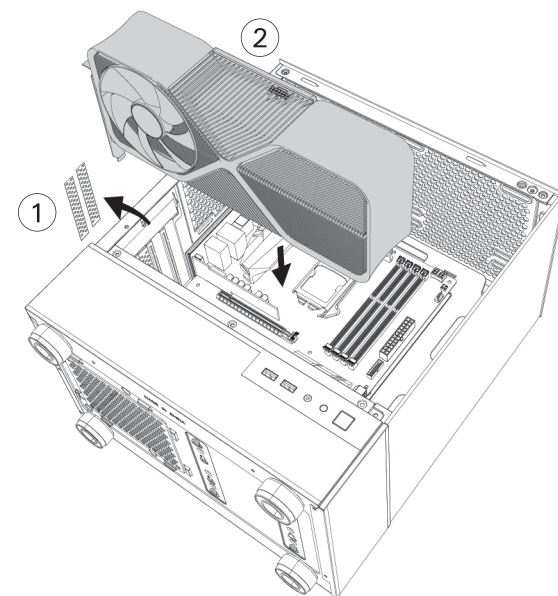


- 2 MOTHERBOARD INSTALLATION**
INSTALACIÓN DE LA PLACA BASE
INSTALLATION DES MOTHERBOARDS
INSTALLATION DE LA CARTE MÈRE
메인보드 장착
マザーボードの設置
安装主板



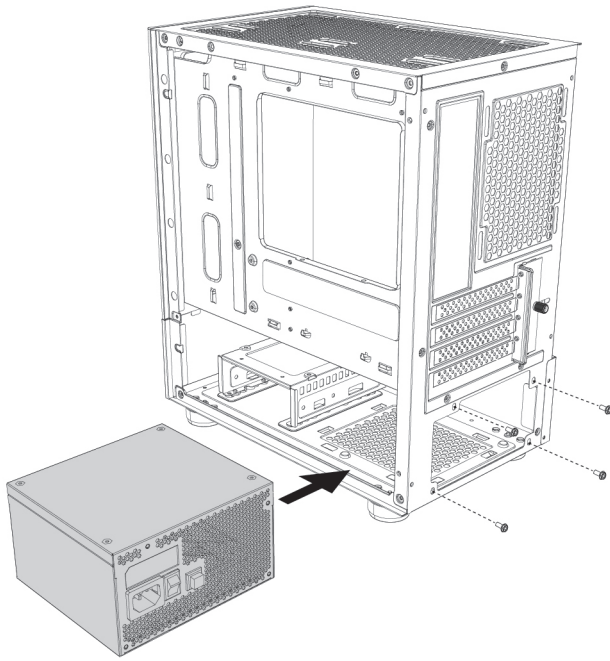
- 1** If there're pre-installed fans, remove the rear fan and the fans on the PSU shroud first.

- 3 VGA/PCI-EXPRESS CARD INSTALLATION**
INSTALACIÓN EXPRES DE LA TARJETA VGA/PCI
VGA / PCI-EXPRESS KARTENINSTALLATION
INSTALLATION DE LA CARTE VGA/PCI-EXPRESS
VGA/PCI-E 카드 장착
VGA/PCI-Eの設置
安装VGA/PCI-E卡



4 POWER SUPPLY INSTALLATION

INSTALACIÓN DE LA FUENTE DE ALIMENTACIÓN
INSTALLATION DES NETZTEILS
INSTALLATION DU BLOC D'ALIMENTATION
파워서프라이 장착
電源の設置
安装电源组件

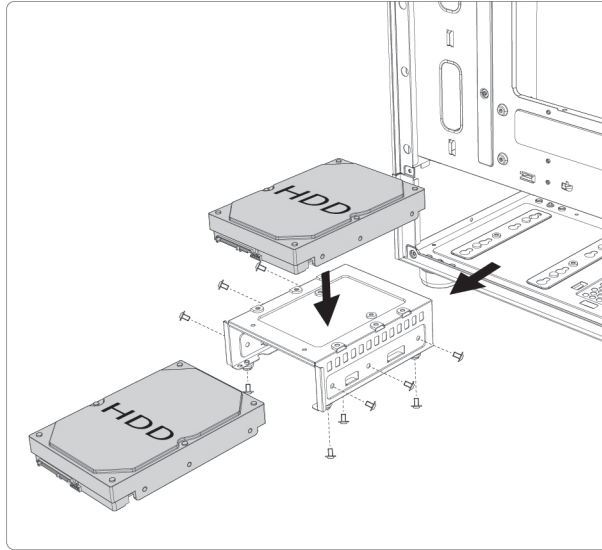


5 HARD DISK INSTALLATION

INSTALACIÓN DEL DISCO DURO
FESTPLATTENINSTALLATION
INSTALLATION DES DISQUES DURS
드라이브 장착
ドライブの設置
安装驱动器

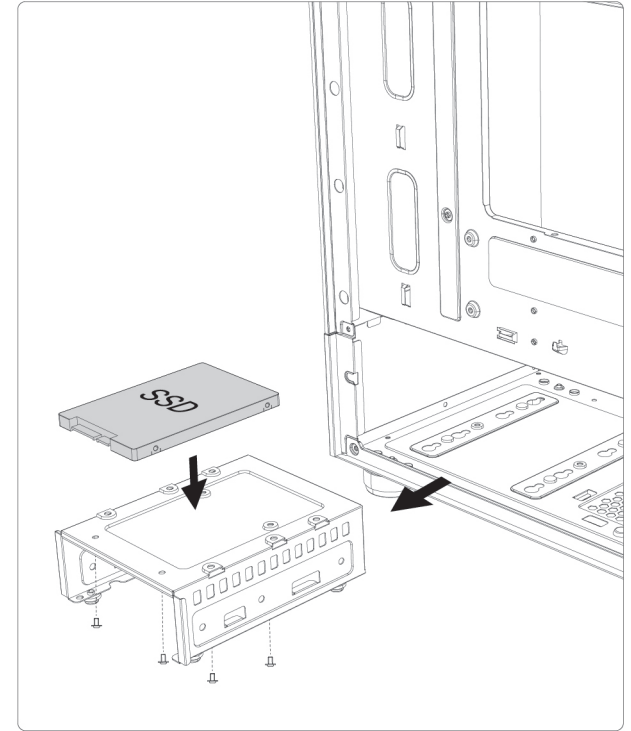
A. INSTALLING A 3.5" HARD DISK DRIVE

INSTALAR UNA RANURA DE DISCO DURO DE 3.5"
INSTALLATION EINES 3.5" FESTPLATTENLAUFWERKS
INSTALLER UN DISQUE DUR 3.5"
3.5" HDD 장착
3.5" 드라이브의設置
3.5寸硬盘安装



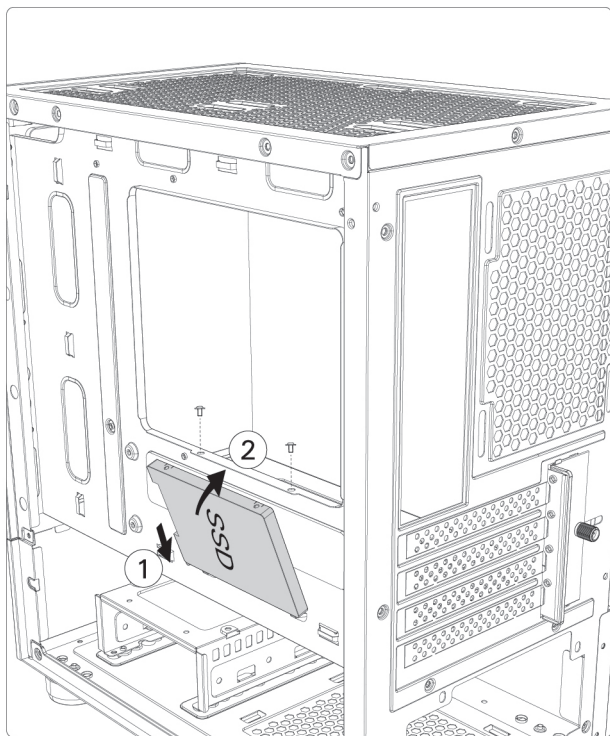
B. INSTALLING A 2.5" SOLID STATE DRIVE

INSTALAR UNA RANURA SOLID STATE DE 2.5"
INSTALLATION EINER 2.5 ZOLL SSD
INSTALLER UN DISQUE DUR 2.5"
2.5" SSD 장착
2.5" 드라이브의設置
2.5寸硬盘安装



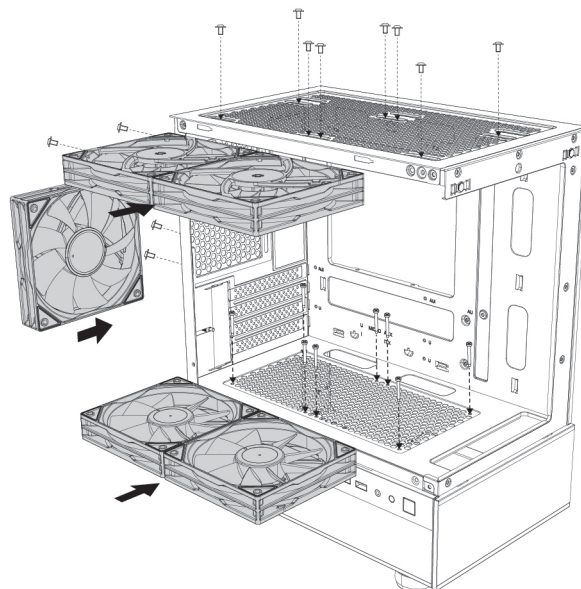
B. INSTALLING A 2.5" SOLID STATE DRIVE

INSTALAR UNA RANURA SOLID STATE DE 2.5"
INSTALLATION EINER 2.5 ZOLL SSD
INSTALLER UN DISQUE DUR 2.5"
2.5" SSD 장착
2.5" 드라이브의設置
2.5寸硬盘安装



6 FAN INSTALLATION

INSTALAR VENTILADOR
LÜFTERINSTALLATION
INSTALLATION DU VENTILATEUR
팬 장착
케이스팬의設置
风扇安装



Antec®

www.Antec.com

All rights reserved. Specifications are subject to change without prior notice. Actual products and accessories may differ from illustrations. Omissions and printing errors excepted. Content of delivery might differ in different countries or areas. Some trademarks may be claimed as the property of others.

V2.2

©1986 – 2024 Antec, Inc. All rights reserved.